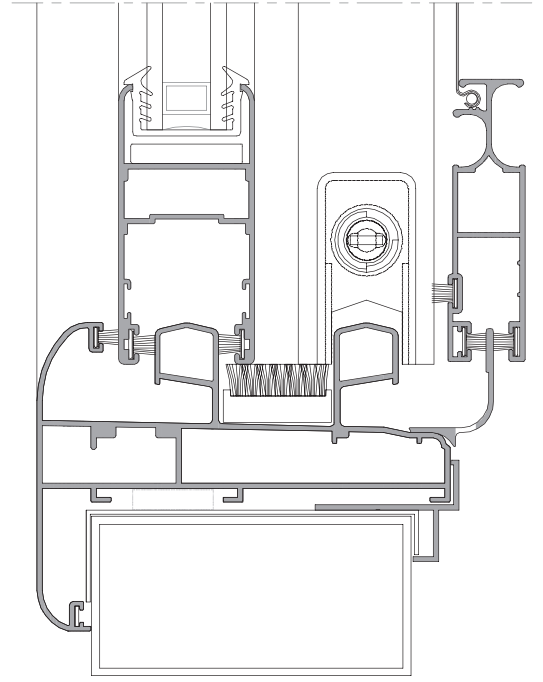




Sürme Sistem  
Sliding System



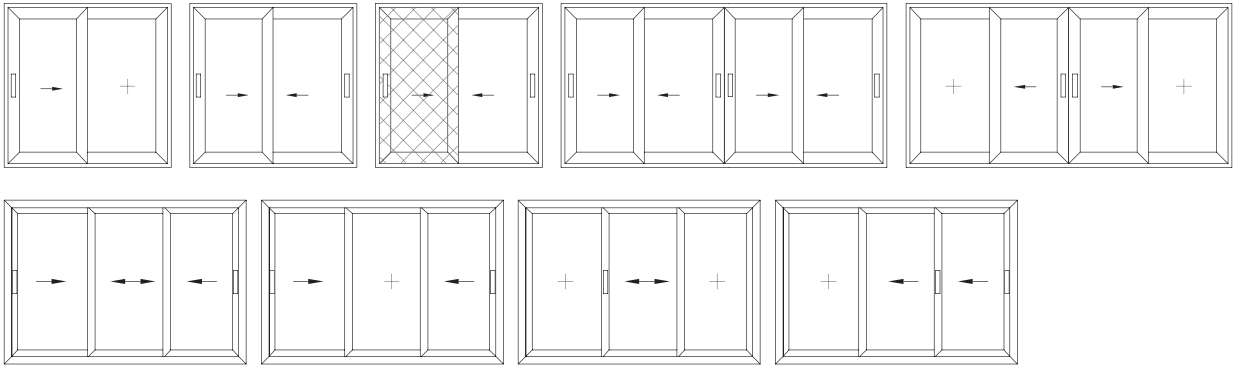
# CS34



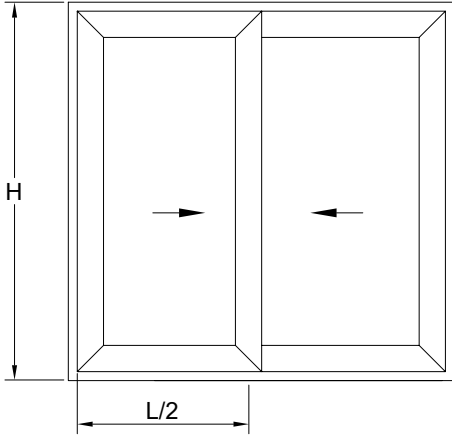
### TEKNİK ÖZELLİKLER / TECHNICAL PROPERTIES

|   |                       |
|---|-----------------------|
| <b>KASA DERİNLİĞİ / FRAME DEPTH</b>                 | <b>90 - 131 mm</b>    |
| <b>KANAT DERİNLİĞİ / SASH DEPTH</b>                 | <b>34 mm</b>          |
| <b>KENET DERİNLİĞİ / INTERLOCKING DEPTH</b>         | <b>79 mm</b>          |
| <b>PROFİL ET KALINLIĞI / PROFILE WALL THICKNESS</b> | <b>1,3 mm</b>         |
| <b>MİN. CAM KALINLIĞI / MIN. GLAZING THICKNESS</b>  | <b>4 mm</b>           |
| <b>MAKS. CAM KALINLIĞI / MAX. GLAZING THICKNESS</b> | <b>20 mm</b>          |
| <b>MİN. KANAT ÖLÇÜLERİ / MIN. SASH DIMENSIONS</b>   | <b>800 x 1900 mm</b>  |
| <b>MAKS. KANAT ÖLÇÜLERİ / MAX. SASH DIMENSIONS</b>  | <b>1600 x 2800 mm</b> |
| <b>MAKS. KANAT AĞIRLIĞI / MAX. SASH WEIGHT</b>      | <b>160 kg</b>         |

### UYGULAMA SEÇENEKLERİ / APPLICATION OPTIONS

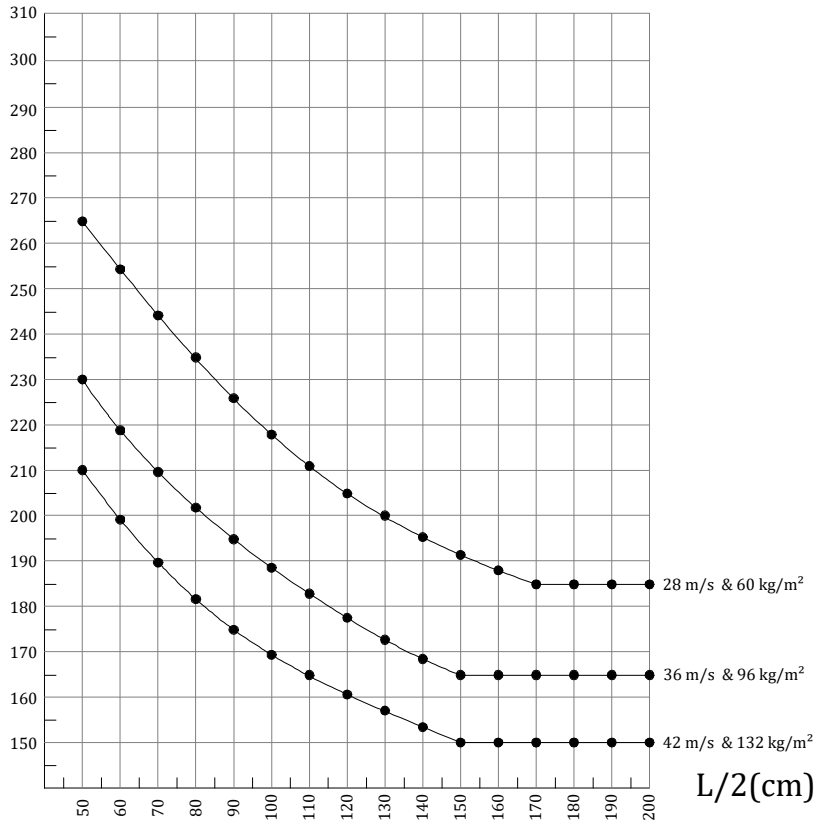


## RÜZGAR YÜKÜNE GÖRE KULLANIM LİMİTLERİ GRAFİĞİ

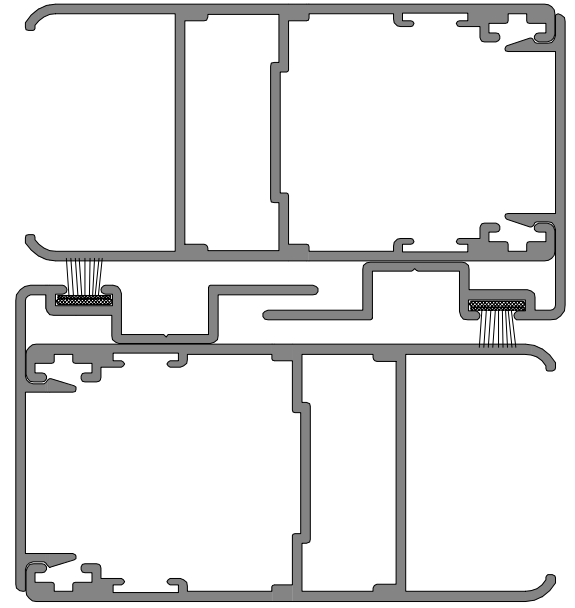


Max. Sehim :  $L / 300$

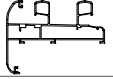
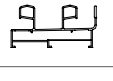
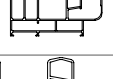



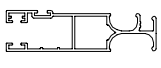



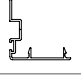

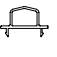






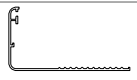

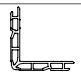
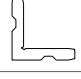
H(cm)



L/2(cm)



Jx : 17,86 cm<sup>4</sup>

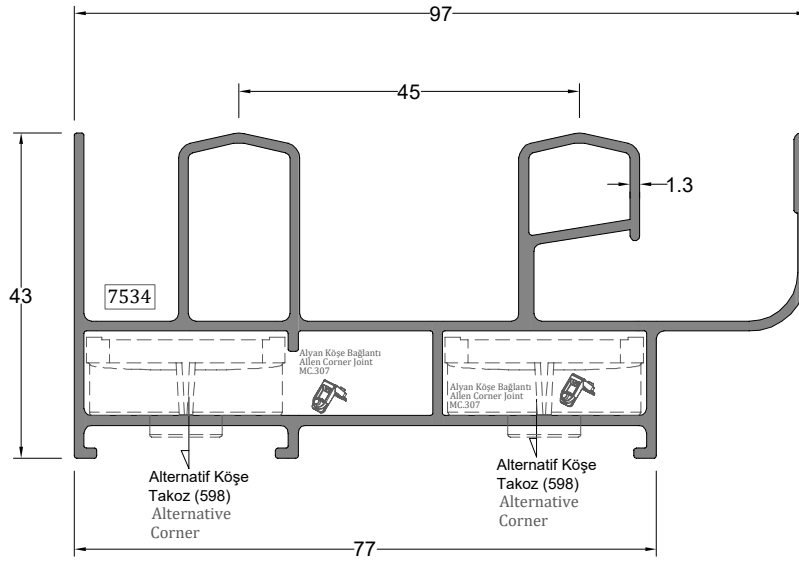
| PROFİL KESİTİ<br>PROFILE SECTION  | PROFİL KODU<br>PROFILE CODE | PROFİL ADI<br>PROFILE NAME                         | Jx cm <sup>4</sup>    | Jy cm <sup>4</sup>     | AĞIRLIK (kg/m)<br>WEIGHT |
|---|-----------------------------|--|-----------------------|------------------------|--------------------------|
|    | 3641                        | İKİ RAYLI KASA PROFİLİ<br>FRAME PROFILE            | 72,33 cm <sup>4</sup> | 21.50 cm <sup>4</sup>  | 1,858 kg/mt              |
|    | 6570                        | İKİ RAYLI KASA PROFİLİ<br>FRAME PROFILE            | 40,67 cm <sup>4</sup> | 8,40 cm <sup>4</sup>   | 1,379 kg/mt              |
|    | 7534                        | İKİ RAYLI KASA PROFİLİ<br>FRAME PROFILE            | 45,96 cm <sup>4</sup> | 8,40 cm <sup>4</sup>   | 1,441kg/mt               |
|    | 6571                        | ÜÇ RAYLI KASA PROFİLİ<br>TRIPLE RAIL FRAME PROFILE | 11,37 cm <sup>4</sup> | 125,38 cm <sup>4</sup> | 1,957 kg/mt              |
|    | 3644                        | KANAT PROFİLİ<br>SASH PROFILE                      | 12,31 cm <sup>4</sup> | 6,8 cm <sup>4</sup>    | 0,887 kg/mt              |
|    | 1243                        | SİNEKLİK PROFİLİ<br>SCREENING PROFILE              | -                     | -                      | 0,434 kg/mt              |
|    | 12339                       | SİNEKLİK PROFİLİ<br>SCREENING PROFILE              | -                     | -                      | 0,703 kg/mt              |
|    | 3594                        | TAKVIYE PROFİLİ<br>REINFORCE PROFILE               | -                     | -                      | 0,456 kg/m               |
|    | 3595                        | TAKVIYE KAPAK PROFİLİ<br>REINFORCE COVER PROFILE   | -                     | -                      | 0,101 kg/m               |
|   | 2707                        | SİNEKLİK RAY PROFİLİ<br>SCREENING RAIL PROFILE     | -                     | -                      | 0,190 kg/mt              |
|  | 3645                        | KENET PROFİLİ<br>LOCKING PROFILE                   | -                     | -                      | 0,377 kg/mt              |
|  | 5598                        | DAMLALIK PROFİLİ<br>DROPPER PROFILE                | -                     | -                      | 0,302 kg/mt              |
|  | 4039                        | ADAPTÖR PROFİLİ<br>ADAPTER PROFILE                 | -                     | -                      | 0,288 kg/mt              |
|  | 1139                        | T BAĞLANTI PROFİLİ<br>T CONNECTION PROFILE         | -                     | -                      | 0,236 kg/mt              |
|  | 1035                        | T BAĞLANTI PROFİLİ<br>T CONNECTION PROFILE         | -                     | -                      | 0,240 kg/mt              |
|  | 1121                        | T BAĞLANTI PROFİLİ<br>T CONNECTION PROFILE         | -                     | -                      | 0,233 kg/mt              |
|  | 3917                        | T BAĞLANTI PROFİLİ<br>T CONNECTION PROFILE         | -                     | -                      | 0,162 kg/mt              |
|  | 3818                        | T BAĞLANTI PROFİLİ<br>T CONNECTION PROFILE         | -                     | -                      | 0,210 kg/mt              |
|  | 3832                        | T BAĞLANTI PROFİLİ<br>T CONNECTION PROFILE         | -                     | -                      | 0,175 kg/mt              |
|  | 553                         | PERVAZ PROFİLİ<br>SILL PROFILE                     | -                     | -                      | 0,656 kg/mt              |
|  | 3646                        | PERVAZ PROFİLİ<br>SILL PROFILE                     | -                     | -                      | 0,302 kg/mt              |
|  | 598                         | KÖŞE TAKOZU<br>CORNER WEDGE PROFILE                | -                     | -                      | 1,760 kg/mt              |
|  | 6568                        | KÖŞE TAKOZU<br>CORNER WEDGE PROFILE                | -                     | -                      | 2,128 kg/mt              |

| AKSESUAR<br>ACCESSORY | STOK KODU<br>REFERENCE CODE | AKSESUAR ADI<br>DESCRIPTION                                    | AKSESUAR KODU<br>PRODUCT CODE | PAKET<br>PACK           |
|-----------------------|-----------------------------|--|-------------------------------|-------------------------|
|                       | 03 012022                   | ÇİFT CAM U FİTİL<br>DOUBLE GLASS U GASKET                      | CS34-UCF.022                  | 60 mt / paket<br>10kg   |
|                       | 03 011512                   | TEK CAM U FİTİL<br>SINGLE GLASS U GASKET                       | CS34-UCF.512                  | 74 mt / paket<br>10kg   |
|                       | 03 010436                   | KASA FİTİLİ<br>FRAME GASKET                                    | CS34-KBF.36                   | 350 mt / paket<br>10 kg |
|                       | 03 080100                   | BİNİ FİTİLİ<br>OVERLAPPING GASKET                              | CS34-MO.60                    | 100 mt / paket          |
|                       | 03 050710                   | FİRÇA FİTİL<br>WEATHER STRIP                                   | CS34-FÇ.710                   | 300 mt / paket          |
|                       | 03 050706                   | FİRÇA FİTİL<br>WEATHER STRIP                                   | CS34-FÇ.706                   | 350 mt / paket          |
|                       | 01 130318                   | KÖŞE GÖNYE<br>CORNER BRACKET                                   | CS34-KG.318                   | 1 pk / 1000 ad          |
|                       | 01 130314                   | KÖŞE ÇAVUŞU<br>CORNER CONNECTION                               | CS34-FJ.314                   | 1 pk / 250 ad           |
|                       | 01 050253                   | KENET KAPAK<br>INTERLOCKING COVER                              | CS34-YK.253                   | 1 pk / 100 ad           |
|                       | 01 130306                   | KÖŞE BAĞLANTI TAKOZ<br>CORNER JOINT                            | CS34-MC.306                   | 1 pk / 250 ad           |
|                       | 01 130312                   | KÖŞE BAĞLANTI TAKOZ<br>CORNER JOINT                            | CS34-MC.312                   | 1 pk / 100 ad           |
|                       | 01130307                    | KÖŞE BAĞLANTI TAKOZ<br>CORNER JOINT                            | CS34-MC.307                   | 1 pk / 250 ad           |
|                       | 01 110212                   | ALT HAVA KESİCİ<br>BOTTOM AIR BLOCKER                          | CS34-AHK.212                  | 1 pk / 100 ad           |
|                       | 01 050294                   | ÜST HAVA KESİCİ<br>TOP AIR BLOCKER                             | CS34-ÜHK.294                  | 1 pk / 1 ad             |
|                       | 01 050295                   | STOPER<br>STOPPER  | CS34-SP.295                   | 1 pk / 100 ad           |
|                       | 06 140210                   | CAM TAKOZU(5X28X80 mm)<br>GLAZING WEDGE 5mm                    | CS34T-CT.210                  | 1 pk / 1000 ad          |
|                       | 01 050200                   | KİLİT KARŞILIK (NATUREL)<br>STRIKER FOR SLIDING LOCK (NATURAL) | CS34-KT.200                   | 1 pk / 100 ad           |
|                       | 01 050201                   | KİLİT KARŞILIK (BEYAZ)<br>STRIKER FOR SLIDING LOCK (WHITE)     | CS34-KT.201                   | 1 pk / 100ad            |
|                       | 01 050202                   | KİLİT KARŞILIK (SİYAH)<br>STRIKER FOR SLIDING LOCK (BLACK)     | CS34-KT.202                   | 1 pk / 100ad            |
|                       | 01 050285                   | AYARLI ÇİFTLİ RULMAN<br>ADJUSTABLE ROLLER(DOUBLE)              | CS34-ÇR.285                   | 1 pk / 100ad            |

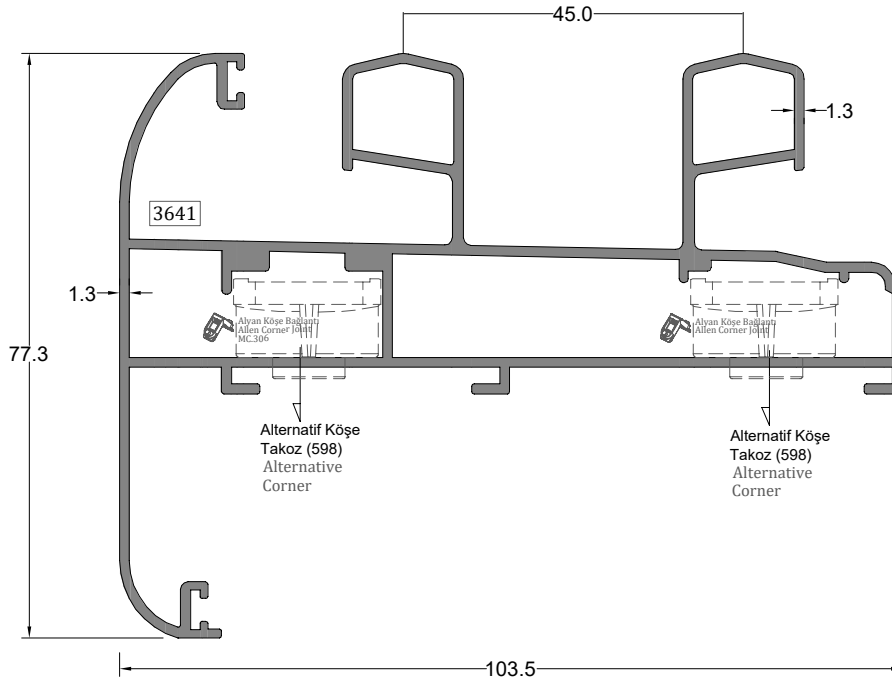
| AKSESUAR<br>ACCESSORY | STOK KODU<br>REFERENCE CODE | AKSESUAR ADI<br>DESCRIPTION   | AKSESUAR KODU<br>PRODUCT CODE | PAKET<br>PACK |
|-----------------------|-----------------------------|---|-------------------------------|---------------|
|                       | 01 050750                   | FORZA YAYLI HAVUZ KOL (SİYAH)<br>FORZA RECESSED HANDLE AUTOMATIC (BLACK)                      | CS34-FHK.750                  | 1 pk / 40 ad  |
|                       | 01 050751                   | FORZA YAYLI HAVUZ KOL (BEYAZ)<br>FORZA RECESSED HANDLE AUTOMATIC (WHITE)                      | CS34-FHK.751                  | 1 pk / 40 ad  |
|                       | 01 050752                   | FORZA YAYLI HAVUZ KOL<br>(NATUREL)<br>FORZA RECESSED HANDLE AUTOMATIC (NATURAL)               | CS34-FHK.752                  | 1 pk / 40 ad  |
|                       | 01 050753                   | FORZA YAYLI HAVUZ KOL<br>(ANTRASİT)<br>FORZA RECESSED HANDLE AUTOMATIC (ANTHRACITE)           | CS34-FHK.753                  | 1 pk / 40 ad  |
|                       | 01 050760                   | FORZA MANUEL HAVUZ KOL (SİYAH)<br>FORZA RECESSED HANDLE MANUEL (BLACK)                        | CS34-FHK.760                  | 1 pk / 40 ad  |
|                       | 01 050761                   | FORZA MANUEL HAVUZ KOL (BEYAZ)<br>FORZA RECESSED HANDLE MANUEL (WHITE)                        | CS34-FHK.761                  | 1 pk / 40 ad  |
|                       | 01 050762                   | FORZA MANUEL HAVUZ KOL<br>(NATUREL)<br>FORZA RECESSED HANDLE MANUEL (NATURAL)                 | CS34-FHK.762                  | 1 pk / 40 ad  |
|                       | 01 050763                   | FORZA MANUEL HAVUZ KOL<br>(ANTRASİT)<br>FORZA RECESSED HANDLE MANUEL (ANTHRACITE)             | CS34-FHK.763                  | 1 pk / 40 ad  |
|                       | 01 050770                   | FORZA ANAHTARLI HAVUZ KOL<br>(SİYAH)<br>FORZA RECESSED HANDLE LOCK WITH KEY (BLACK)           | CS34-FHK.770                  | 1 pk / 40 ad  |
|                       | 01 050771                   | FORZA ANAHTARLI HAVUZ KOL<br>(BEYAZ)<br>FORZA RECESSED HANDLE LOCK WITH KEY (WHITE)           | CS34-FHK.771                  | 1 pk / 40 ad  |
|                       | 01 050772                   | FORZA ANAHTARLI HAVUZ KOL<br>(NATUREL)<br>FORZA RECESSED HANDLE LOCK WITH KEY<br>(NATURAL)    | CS34-FHK.772                  | 1 pk / 40 ad  |
|                       | 01 050773                   | FORZA ANAHTARLI HAVUZ KOL<br>(ANTRASİT)<br>FORZA RECESSED HANDLE LOCK WITH<br>KEY(ANTHRACITE) | CS34-FHK.773                  | 1 pk / 40 ad  |
|                       | 01 050790                   | FORZA PASİF HAVUZ KOL (SİYAH)<br>FORZA RECESSED FINGER PULL HANDLE (BLACK)                    | CS34-FHK.790                  | 1 pk / 40 ad  |
|                       | 01 050791                   | FORZA PASİF HAVUZ KOL (BEYAZ)<br>FORZA RECESSED FINGER PULL HANDLE (WHITE)                    | CS34-FHK.791                  | 1 pk / 40 ad  |
|                       | 01 050792                   | FORZA PASİF HAVUZ KOL<br>(NATUREL)<br>FORZA RECESSED FINGER PULL HANDLE (NATURAL)             | CS34-FHK.792                  | 1 pk / 40 ad  |
|                       | 01 050793                   | FORZA PASİF HAVUZ KOL<br>(ANTRASİT)<br>FORZA RECESSED FINGER PULL HANDLE (ANTHRACITE)         | CS34-FHK.793                  | 1 pk / 40 ad  |
|                       | 01 050781                   | FORZA KİLİT DİLİ (ZAMAK)<br>FORZA HOOK (ZAMAK)  | CS34-FKD.781                  | 1 pk / 40 ad  |
|                       | 01 050780                   | FORZA KİLİT DİLİ<br>(ZAMAK)<br>FORZA HOOK (ZAMAK)   | CS34-FKD.780                  | 1 pk / 40 ad  |
|                       | 01 050782                   | FORZA KİLİT KARŞILIĞI<br>(ZAMAK)<br>FORZA STRIKER (ZAMAK)                                     | CS34-FKK.782                  | 1 pk / 40 ad  |

Forza yaylı ve manuel havuz kol ile kullanılmaktadır.

| AKSESUAR<br>ACCESSORY | STOK KODU<br>REFERENCE CODE | AKSESUAR ADI<br>DESCRIPTION                                  | AKSESUAR KODU<br>PRODUCT CODE | PAKET<br>PACK             |
|-----------------------|-----------------------------|--|-------------------------------|---------------------------|
|                       | 01 050150                   | SÜRME DİLİ (SAĞ)<br>SLIDING BOLT (RIGHT)                     | CS34-HKD.150                  | 1 pk / 100ad              |
|                       | 01 050151                   | SÜRME DİLİ (SOL)<br>SLIDING BOLT (LEFT)                      | CS34-HKD.151                  | 1 pk / 100ad              |
|                       | 01 050100                   | SÜRME HAVUZ KOL (NATUREL)<br>SLIDING SUNKEN HANDLE (NATURAL) | CS34-HK.100                   | 1 pk / 100ad              |
|                       | 01 050101                   | SÜRME HAVUZ KOL (BRONZ)<br>SLIDING SUNKEN HANDLE (BRONZE)    | CS34-HK.101                   | 1 pk / 100ad              |
|                       | 01 050102                   | SÜRME HAVUZ KOL (BEYAZ)<br>SLIDING SUNKEN HANDLE (WHITE)     | CS34-HK.102                   | 1 pk / 100ad              |
|                       | 01 050103                   | SÜRME HAVUZ KOL (SİYAH)<br>SLIDING SUNKEN HANDLE (BLACK)     | CS34-HK.103                   | 1 pk / 100ad              |
|                       | 04 105070                   | SİNEKLİK KÖŞE TAKOZ<br>SCREENING CORNER WEDGE                | CS34-ST.70                    | 1 pk / 100ad              |
|                       | 04 105060                   | SİNEKLİK RULMAN<br>SCREENING ROLLER                          | CS34-SR.60                    | 1 pk / 100ad              |
|                       | 04 100120                   | SİNEKLİK KÖŞE BAĞLANTI<br>SCREENING CORNER CONNECTION        | CS34-SC.150                   | 1 pk / 500 ad             |
|                       | 04 100121                   | SİNEKLİK RULMAN<br>SCREENING ROLLER                          | CS34-PR.140                   | 1 pk / 4 ad               |
|                       | 04 060080 - 80cm            | SİNEKLİK TÜLÜ<br>SCREENING NET                               | CS34-STF.80                   | 24 m <sup>2</sup> / paket |
|                       | 04 060100 - 100cm           |  | CS34-STF.100                  | 30 m <sup>2</sup> / paket |
|                       | 04 060120 - 120cm           |  | CS34-STF.120                  | 36 m <sup>2</sup> / paket |
|                       | 04 060140 - 140cm           |  | CS34-STF.140                  | 44 m <sup>2</sup> / paket |
|                       | 04 060160 - 160cm           |  | CS34-STF.160                  | 48 m <sup>2</sup> / paket |
|                       | AKS8039                     | SİNEKLİK FİTİLİ 8 mm<br>SCREENING GASKET 8 mm                | CS34-SF.80                    | 227 mt / paket<br>10 kg   |
|                       | AKS1425                     | SİNEKLİK FİTİLİ<br>SCREENING GASKET                          | CS34-SF.114                   | 100 mt / paket            |
|                       | AKS1426                     |  | CS34-SF.115                   |                           |
|                       | AKS1427                     |  | CS34-SF.116                   |                           |
|                       | 02 020253                   | PANÇ MAKİNESİ (CS34-CS35T)<br>PUNCH MACHINE                  | CS34-PM.253                   | 1 pk / 1 Adet             |
|                       |                             |  |                               |                           |
|                       |                             |  |                               |                           |
|                       |                             |  |                               |                           |

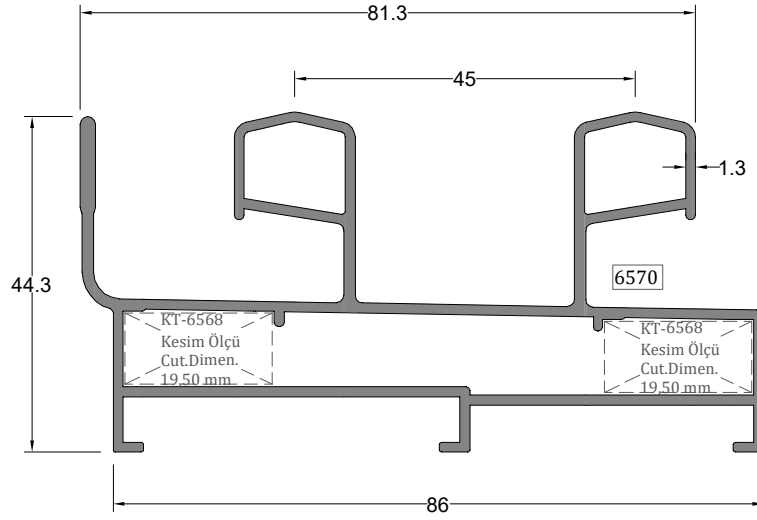


| Kasa Profili<br>FRAME PROFILE | Profil Kodu<br>Profile Code | (kg/mt)<br>Weight | Jx cm <sup>4</sup> | Jy cm <sup>4</sup> |
|-------------------------------|-----------------------------|-------------------|--------------------|--------------------|
|                               | 7534                        | 1,441             | 45,96              | 8,4                |

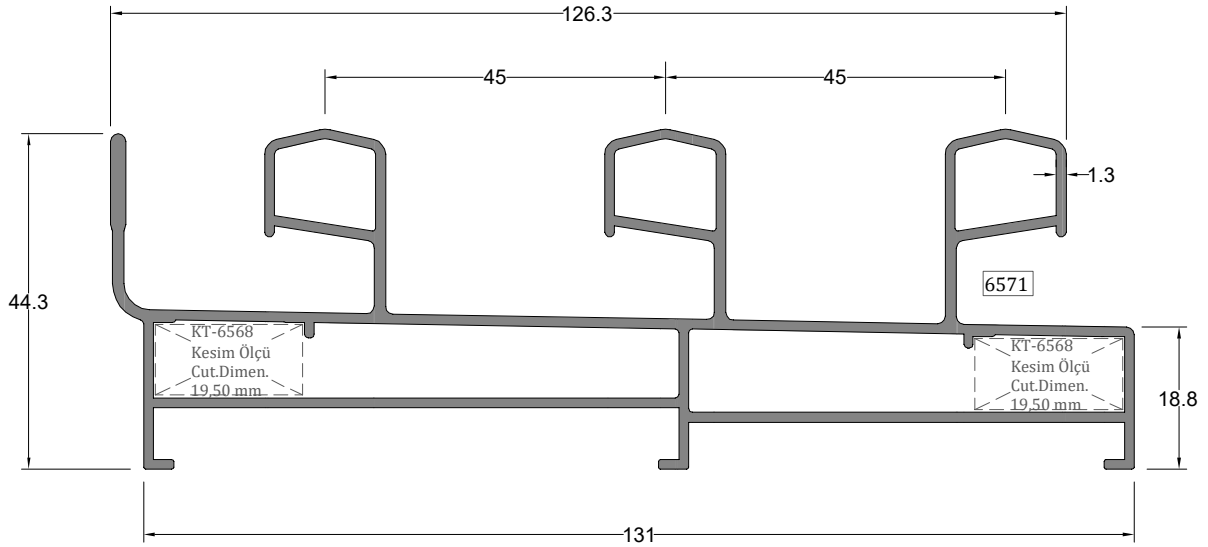


| Kasa Profili<br>FRAME PROFILE | Profil Kodu<br>Profile Code | (kg/mt)<br>Weight | Jx cm <sup>4</sup> | Jy cm <sup>4</sup> |
|-------------------------------|-----------------------------|-------------------|--------------------|--------------------|
|                               | 3641                        | 1,858             | 72,33              | 21,50              |

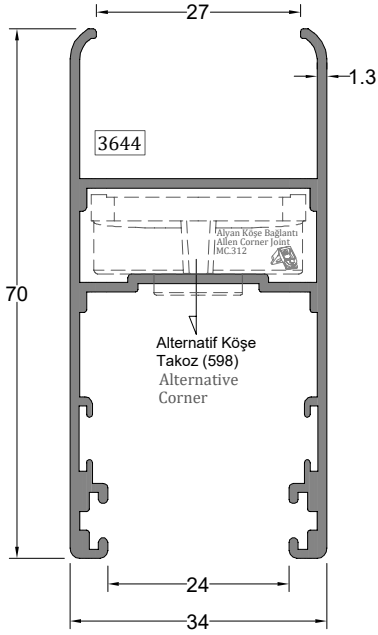




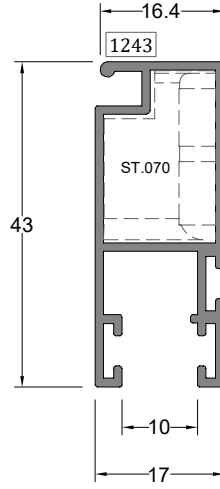
| Kasa Profili<br>FRAME PROFILE | Profil Kodu<br>Profile Code | (kg/mt)<br>Weight | Jx cm <sup>4</sup> | Jy cm <sup>4</sup> |
|-------------------------------|-----------------------------|-------------------|--------------------|--------------------|
|                               | 6570                        | 1,379             | 40,67              | 8,4                |



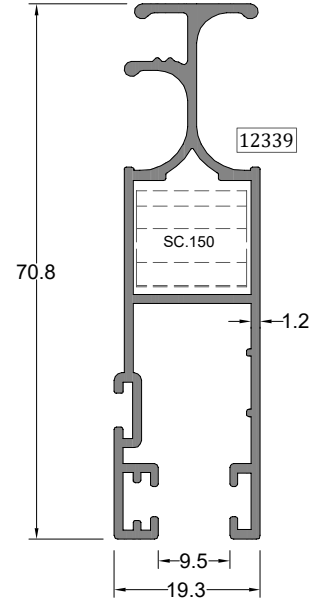
| Üç Raylı Sineklikli Kasa Profili<br>TRIPLE RAIL SCREENING FRAME PROFILE | Profil Kodu<br>Profile Code | (kg/mt)<br>Weight | Jx cm <sup>4</sup> | Jy cm <sup>4</sup> |
|---|-----------------------------|-------------------|--------------------|--------------------|
|   | 6571                        | 1,957             | 11,37              | 125,38             |



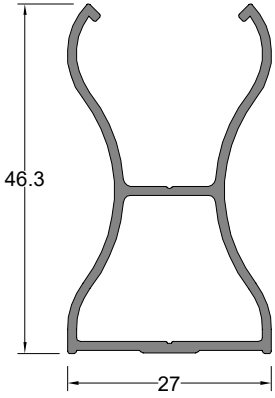
| Kanat Profili<br>SASH PROFILE | Profil Kodu<br>Profile Code | (kg/mt)<br>Weight | Jx cm <sup>4</sup> | Jy cm <sup>4</sup> |
|-------------------------------|-----------------------------|-------------------|--------------------|--------------------|
|                               | 3644                        | 0,887             | 12,31              | 6,8                |



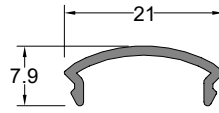
| Sineklik Profili<br>SCREENING PROFILE | Profil Kodu<br>Profile Code | (kg/mt)<br>Weight |
|---------------------------------------|-----------------------------|-------------------|
|                                       | 1243                        | 0,434             |



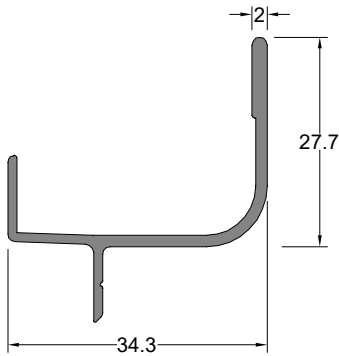
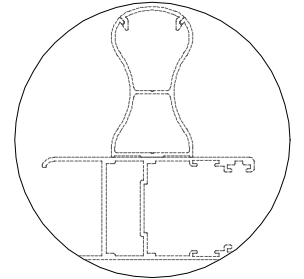
| Sineklik Profili<br>SCREENING PROFILE | Profil Kodu<br>Profile Code | (kg/mt)<br>Weight |
|---------------------------------------|-----------------------------|-------------------|
|                                       | 12339                       | 0,703             |



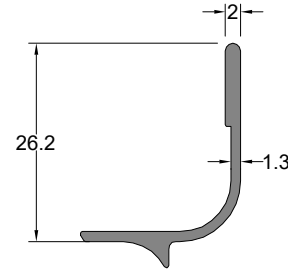
| Takviye Profili<br>REINFORCE PROFILE | Profil Kodu<br>Profile Code | (kg/mt)<br>Weight |
|--------------------------------------|-----------------------------|-------------------|
|                                      | 3594                        | 0,456             |



| Takviye Kapak Profili<br>REINFORCE COVER PROFILE | Profil Kodu<br>Profile Code | (kg/mt)<br>Weight |
|--|-----------------------------|-------------------|
|  | 3595                        | 0,101             |



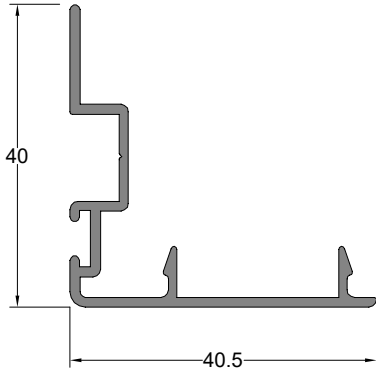
| Damlalık Profili<br>DROPPER PROFILE | Profil Kodu<br>Profile Code | (kg/mt)<br>Weight |
|-------------------------------------|-----------------------------|-------------------|
|                                     | 5598                        | 0,302             |



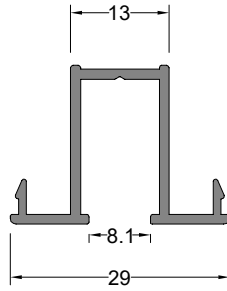
| Ray Profili<br>RAIL PROFILE | Profil Kodu<br>Profile Code | (kg/mt)<br>Weight |
|-----------------------------|-----------------------------|-------------------|
|                             | 2707                        | 0,190             |

(5590 ve 6570 kasalar için)

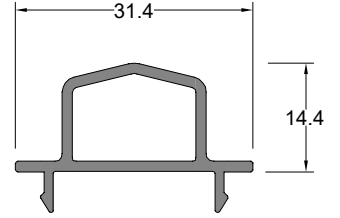
\*\* Her profil için minimum sipariş 300 kg'dır.  
 \*\* Minimum order quantity is 300 kg per profile.



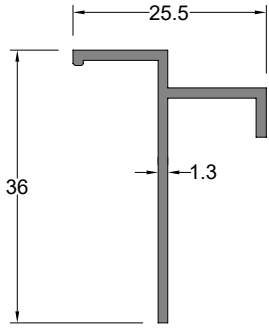
| Kenet Profili<br>INTERLOCK PROFILE | Profil Kodu<br>Profile Code | (kg/mt)<br>Weight |
|------------------------------------|-----------------------------|-------------------|
|                                    | 3645                        | 0,377             |



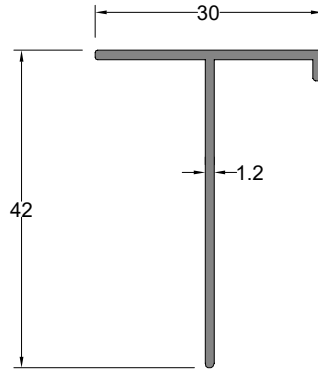
| Tek Cam Adaptör Profili<br>SINGLE GLASS ADAPTER PROFILE | Profil Kodu<br>Profile Code | (kg/mt)<br>Weight |
|---|-----------------------------|-------------------|
|   | 4038                        | 0,274             |
|   | (3658 yerine)               |                   |



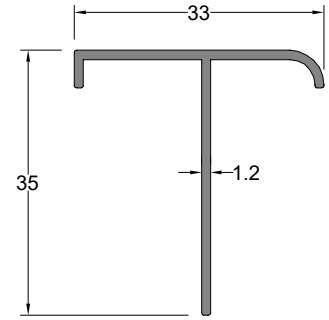
| Adaptör Profili<br>ADAPTER PROFILE | Profil Kodu<br>Profile Code | (kg/mt)<br>Weight |
|------------------------------------|-----------------------------|-------------------|
|                                    | 4039                        | 0,288             |
|                                    | (3649 yerine)               |                   |



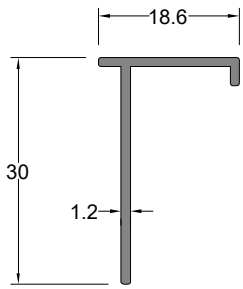
| T Bağlantı Profili<br>T CONNECTION PROFILE | Profil Kodu<br>Profile Code | (kg/mt)<br>Weight |
|--|-----------------------------|-------------------|
|  | 1121                        | 0,233             |



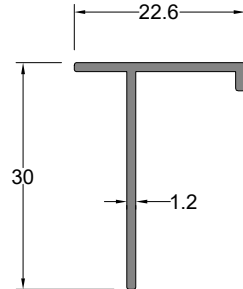
| T Bağlantı Profili<br>T CONNECTION PROFILE | Profil Kodu<br>Profile Code | (kg/mt)<br>Weight |
|--|-----------------------------|-------------------|
|  | 1035                        | 0,240             |



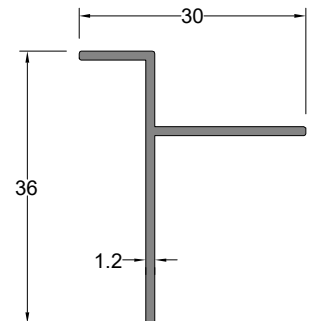
| T Bağlantı Profili<br>T CONNECTION PROFILE | Profil Kodu<br>Profile Code | (kg/mt)<br>Weight |
|--|-----------------------------|-------------------|
|  | 1139                        | 0,236             |



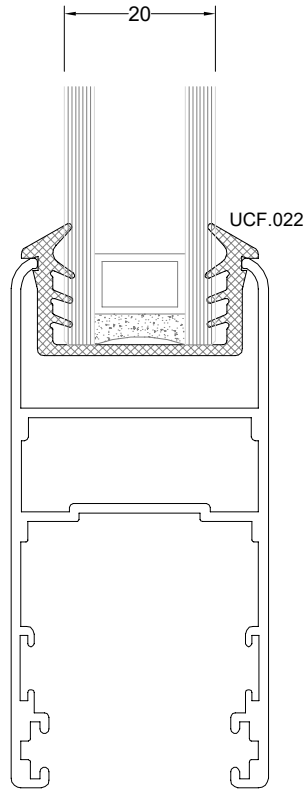
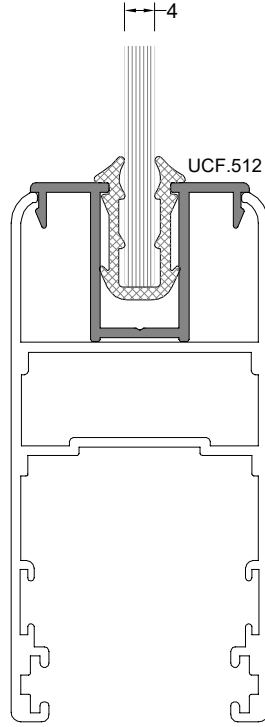
| T Bağlantı Profili<br>T CONNECTION PROFILE | Profil Kodu<br>Profile Code | (kg/mt)<br>Weight |
|--|-----------------------------|-------------------|
|  | 3917                        | 0,162             |

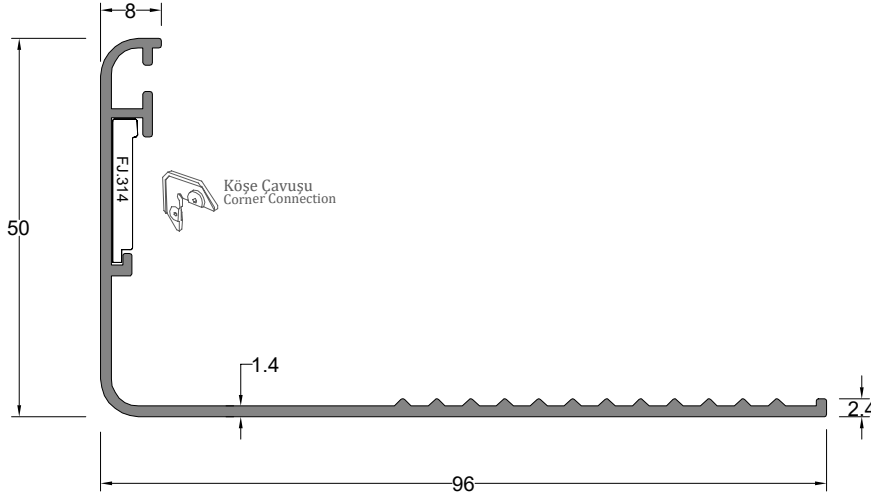


| T Bağlantı Profili<br>T CONNECTION PROFILE | Profil Kodu<br>Profile Code | (kg/mt)<br>Weight |
|--|-----------------------------|-------------------|
|  | 3832                        | 0,175             |

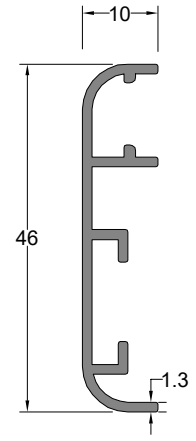


| T Bağlantı Profili<br>T CONNECTION PROFILE | Profil Kodu<br>Profile Code | (kg/mt)<br>Weight |
|--|-----------------------------|-------------------|
|  | 3818                        | 0,210             |

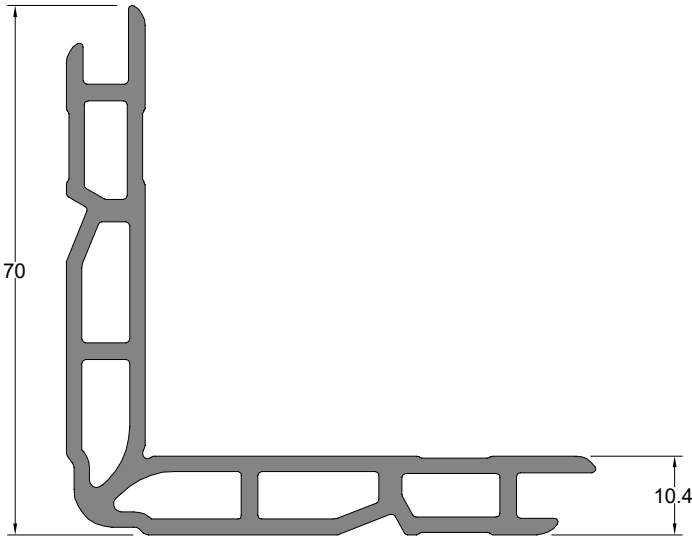




| Pervaz Profili | Profil Kodu  | (kg/mt) |
|----------------|--------------|---------|
| SILL PROFILE   | Profile Code | Weight  |
|                | 553          | 0,656   |

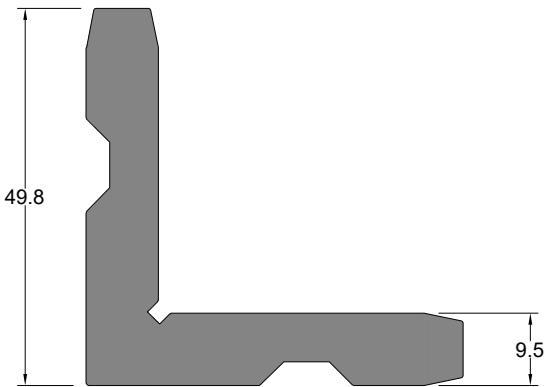


| Pervaz Profili | Profil Kodu  | (kg/mt) |
|----------------|--------------|---------|
| SILL PROFILE   | Profile Code | Weight  |
|                | 3646         | 0,302   |



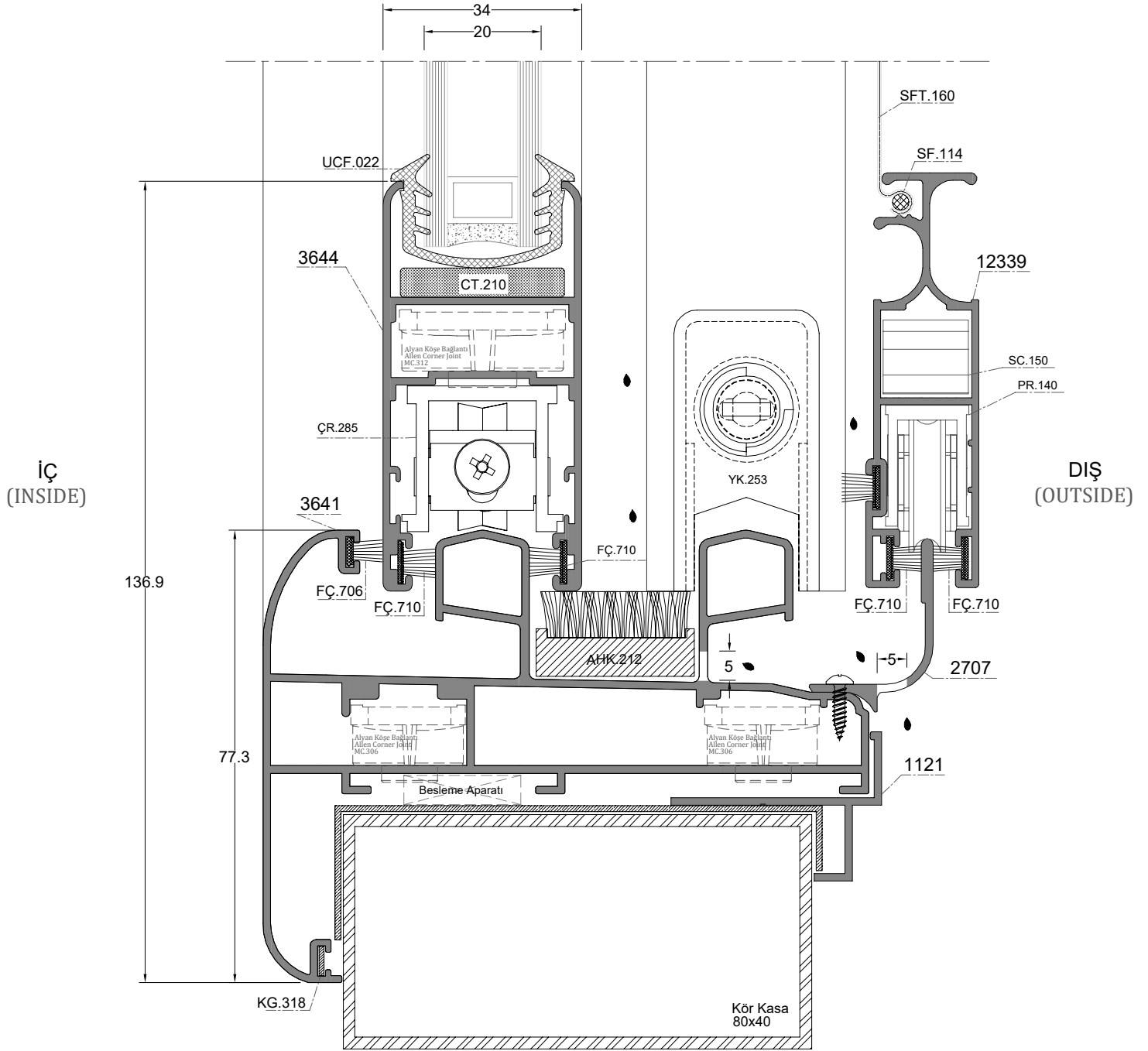
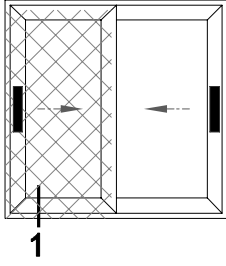
| Köşe Takoğu Profili  | Profil Kodu  | (kg/mt) |
|----------------------|--------------|---------|
| CORNER WEDGE PROFILE | Profile Code | Weight  |
|                      | 598          | 1,760   |

| Köşe Takoğu Profil Kodu   | Kullanıldığı Profil | Kesim Boyu (mm)     |
|---------------------------|---------------------|---------------------|
| Corner Wedge Profile Code | Compatible Profile  | Cutting Length (mm) |
| 598                       | 5590                | 19,00 mm            |
|                           | 3641                | 19,50 mm            |
|                           | 3642                | 22,50 mm            |
|                           | 7534                | 26,50 mm            |
|                           | 3644                | 29,00 mm            |

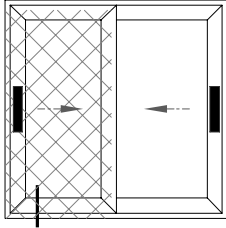


| Köşe Takoğu Profili  | Profil Kodu  | (kg/mt) |
|----------------------|--------------|---------|
| CORNER WEDGE PROFILE | Profile Code | Weight  |
|                      | 6568         | 2,128   |

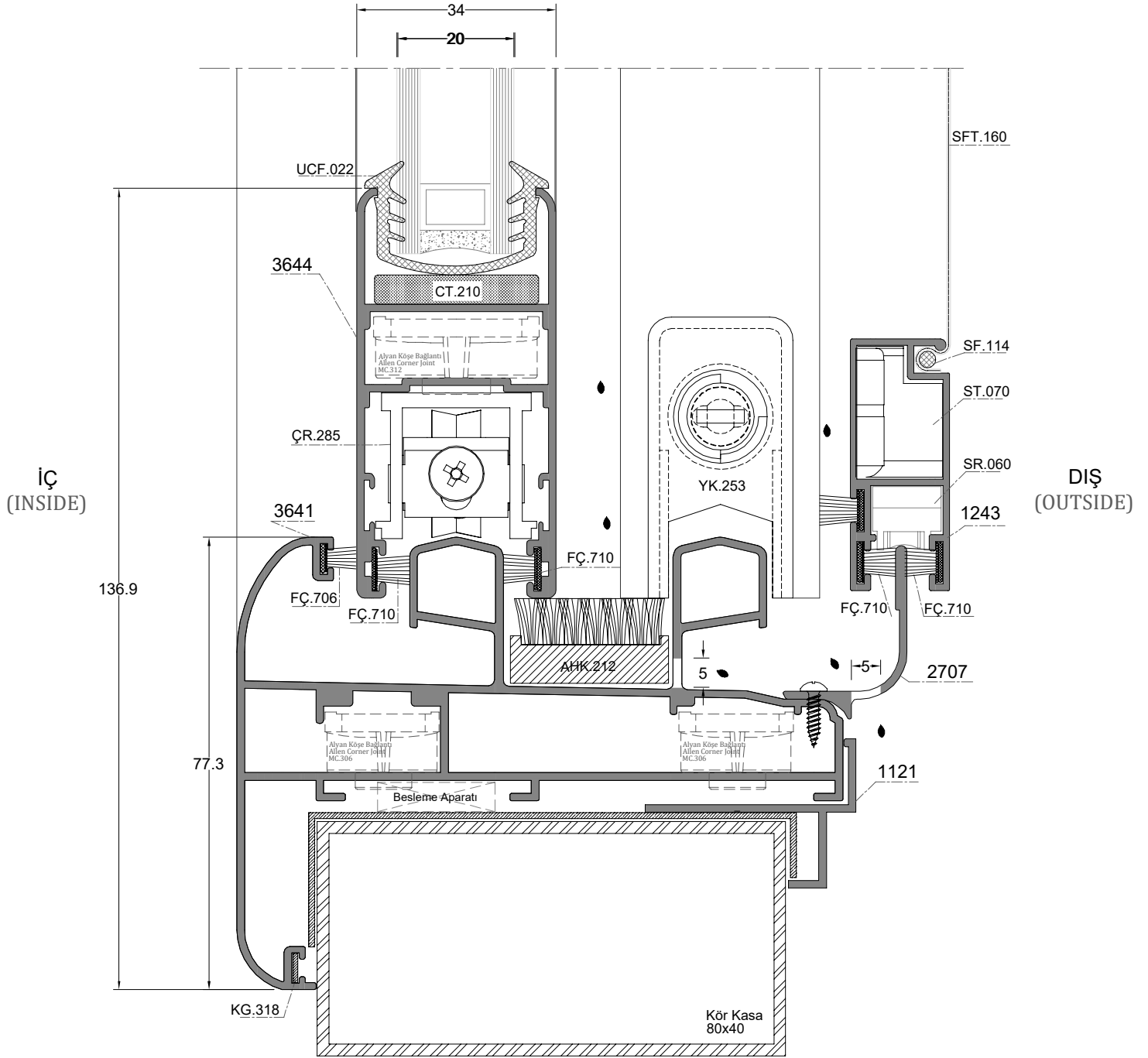
| Köşe Takoğu Profil Kodu   | Kullanıldığı Profil | Kesim Boyu (mm)     |
|---------------------------|---------------------|---------------------|
| Corner Wedge Profile Code | Compatible Profile  | Cutting Length (mm) |
| 6568                      | 6570                | 19,50 mm            |



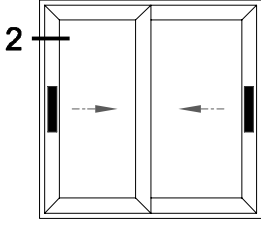
D-1



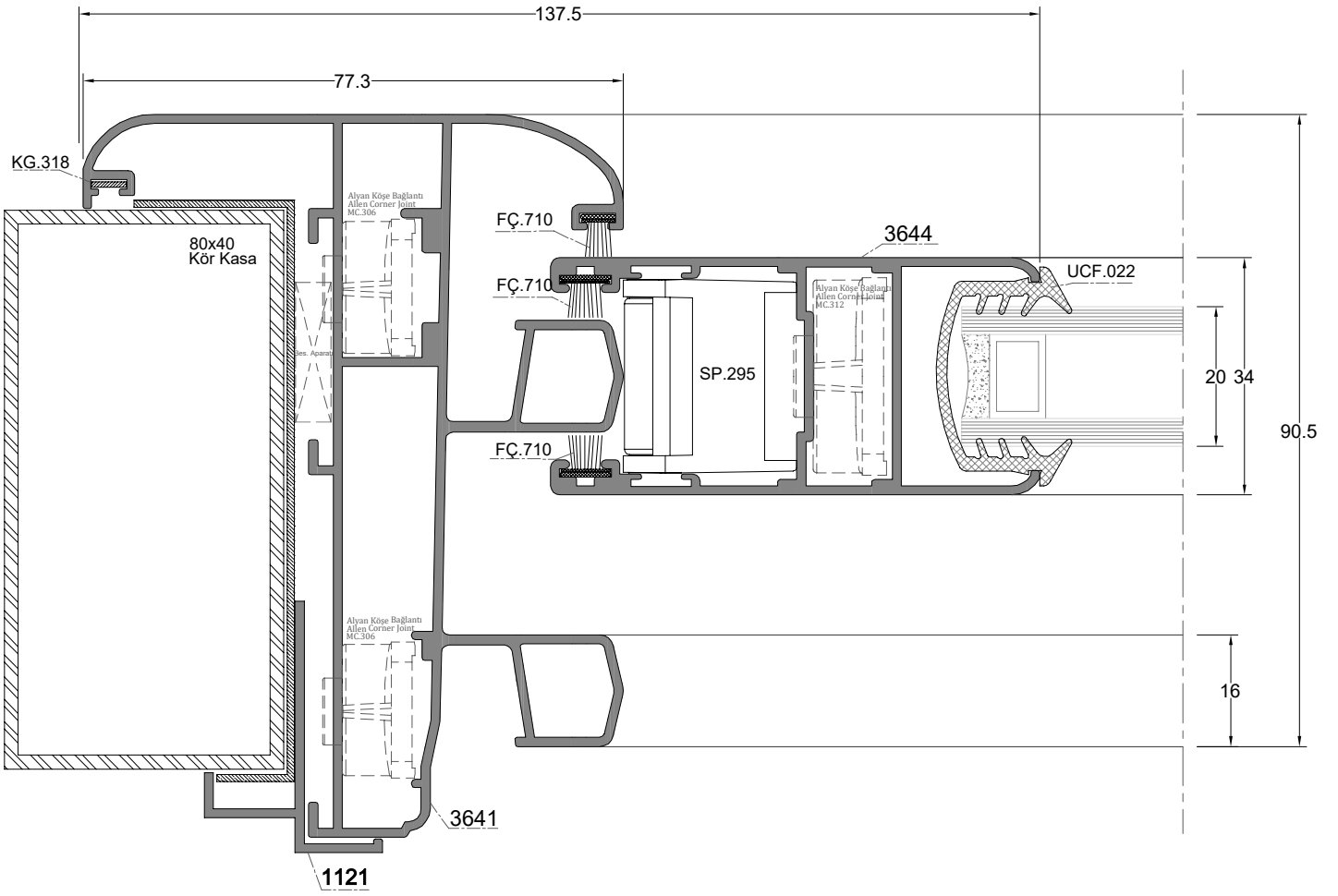
1A



D-1A



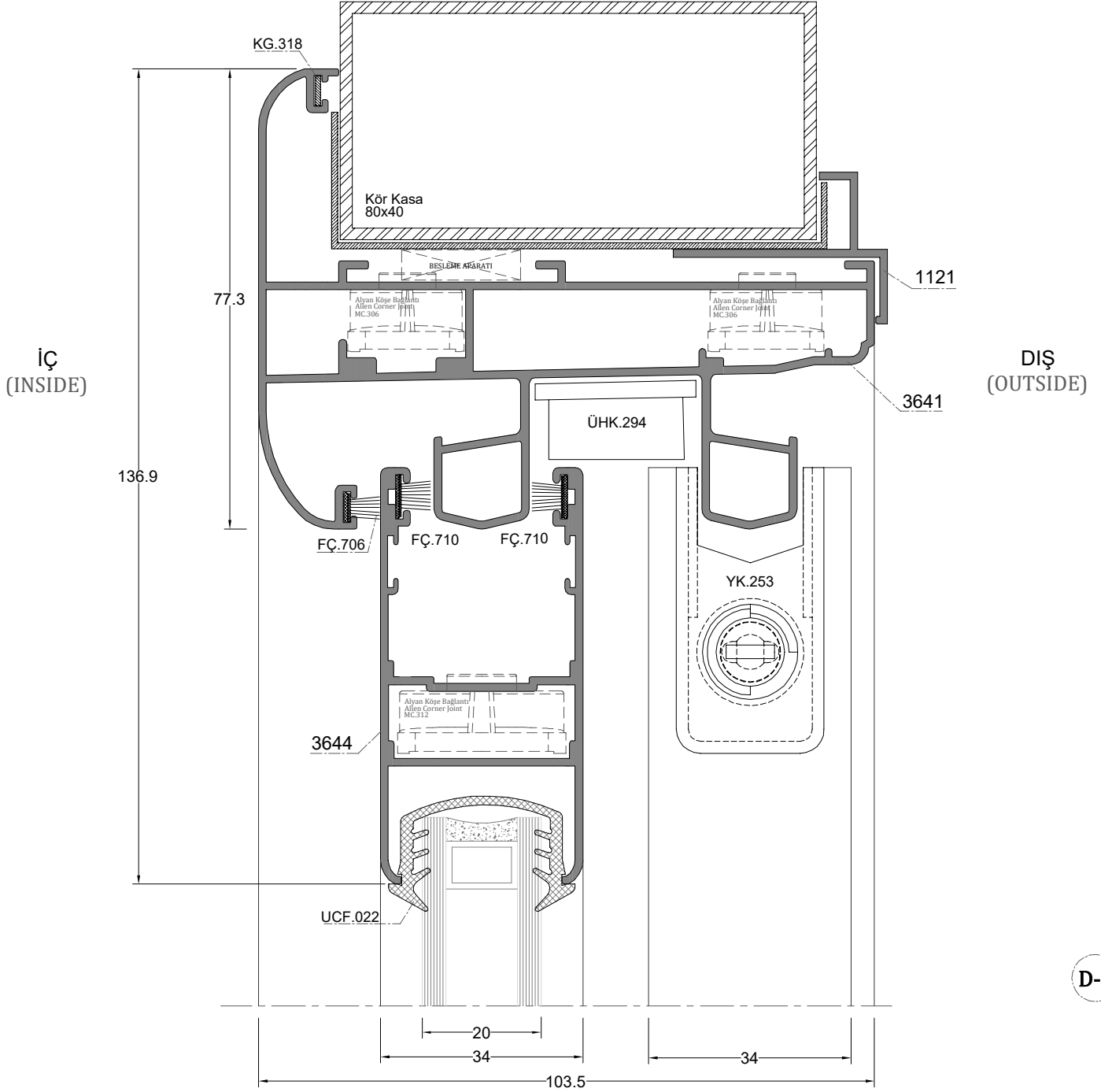
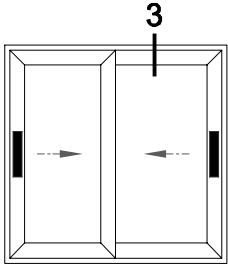
İÇ  
(INSIDE)

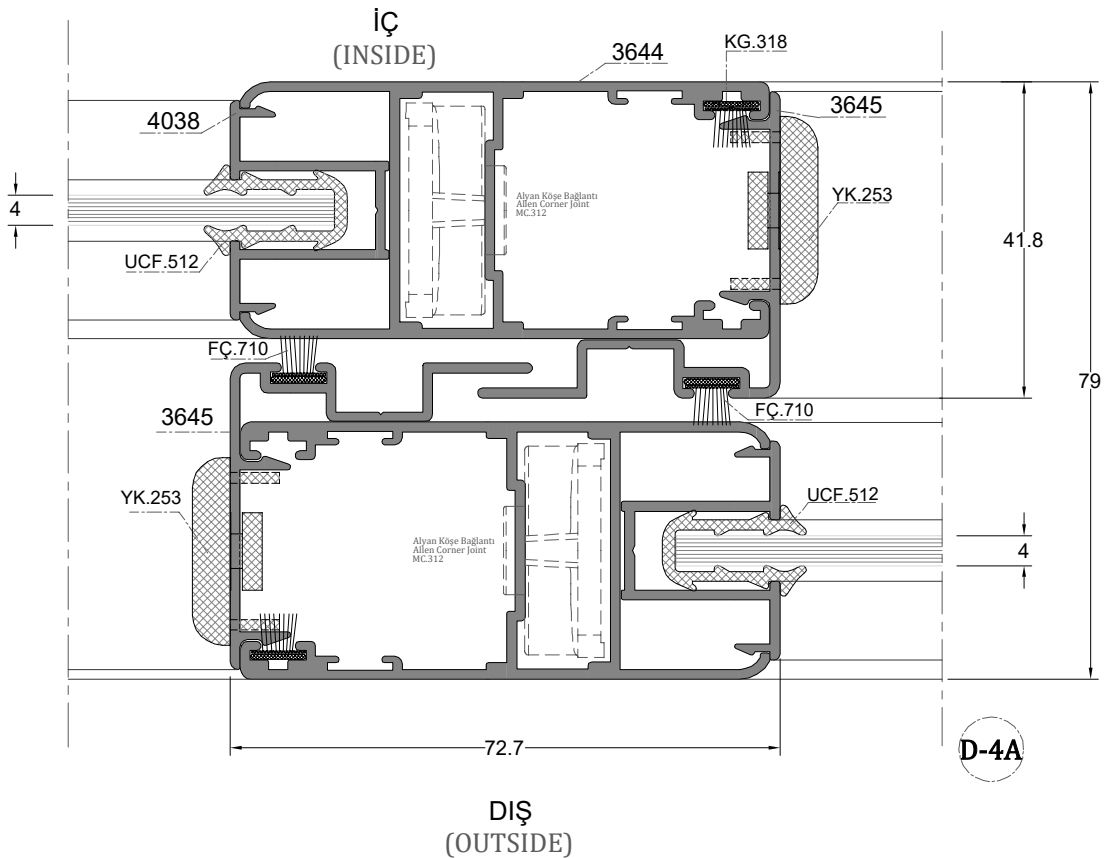
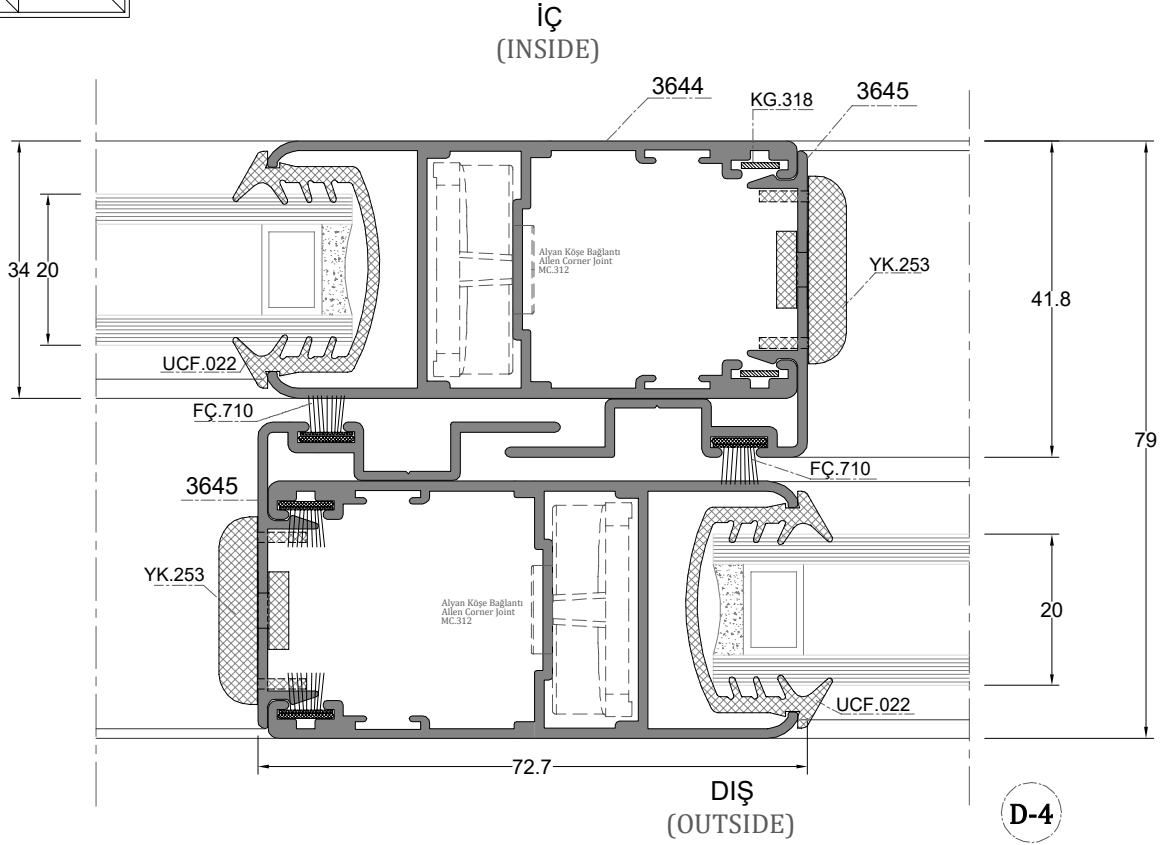
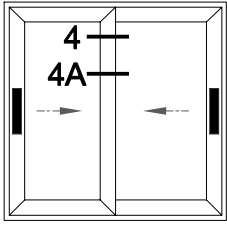


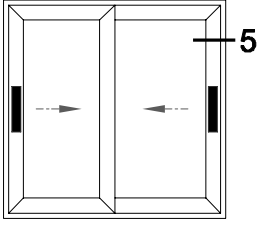
DIŞ  
(OUTSIDE)

D-2

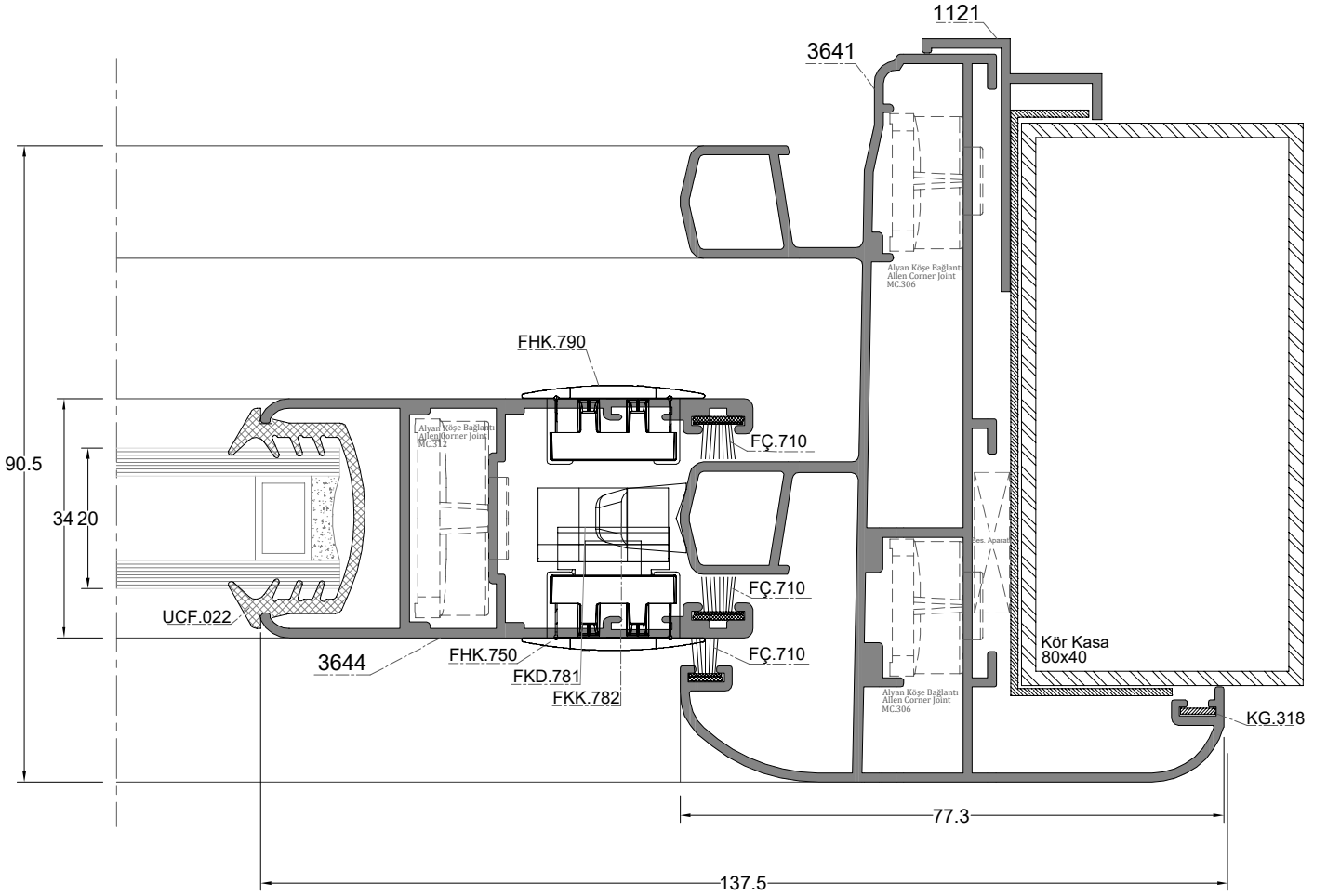






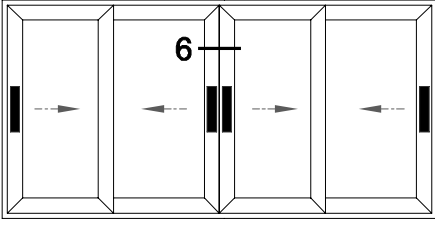


DIŞ  
(OUTSIDE)

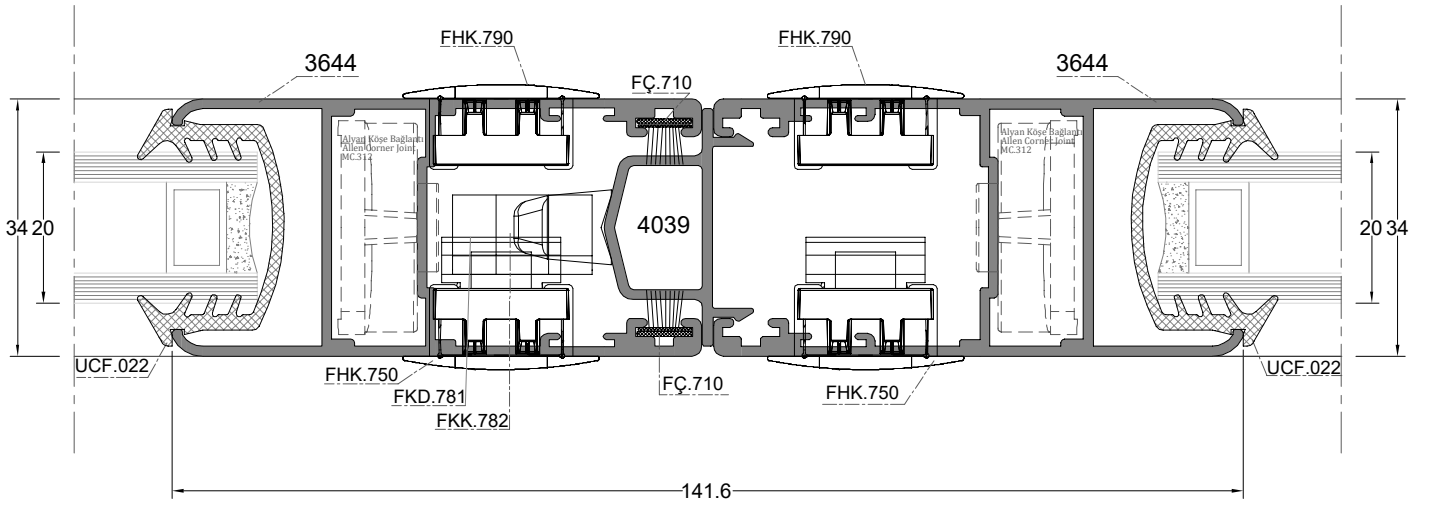


İÇ  
(INSIDE)

D-5

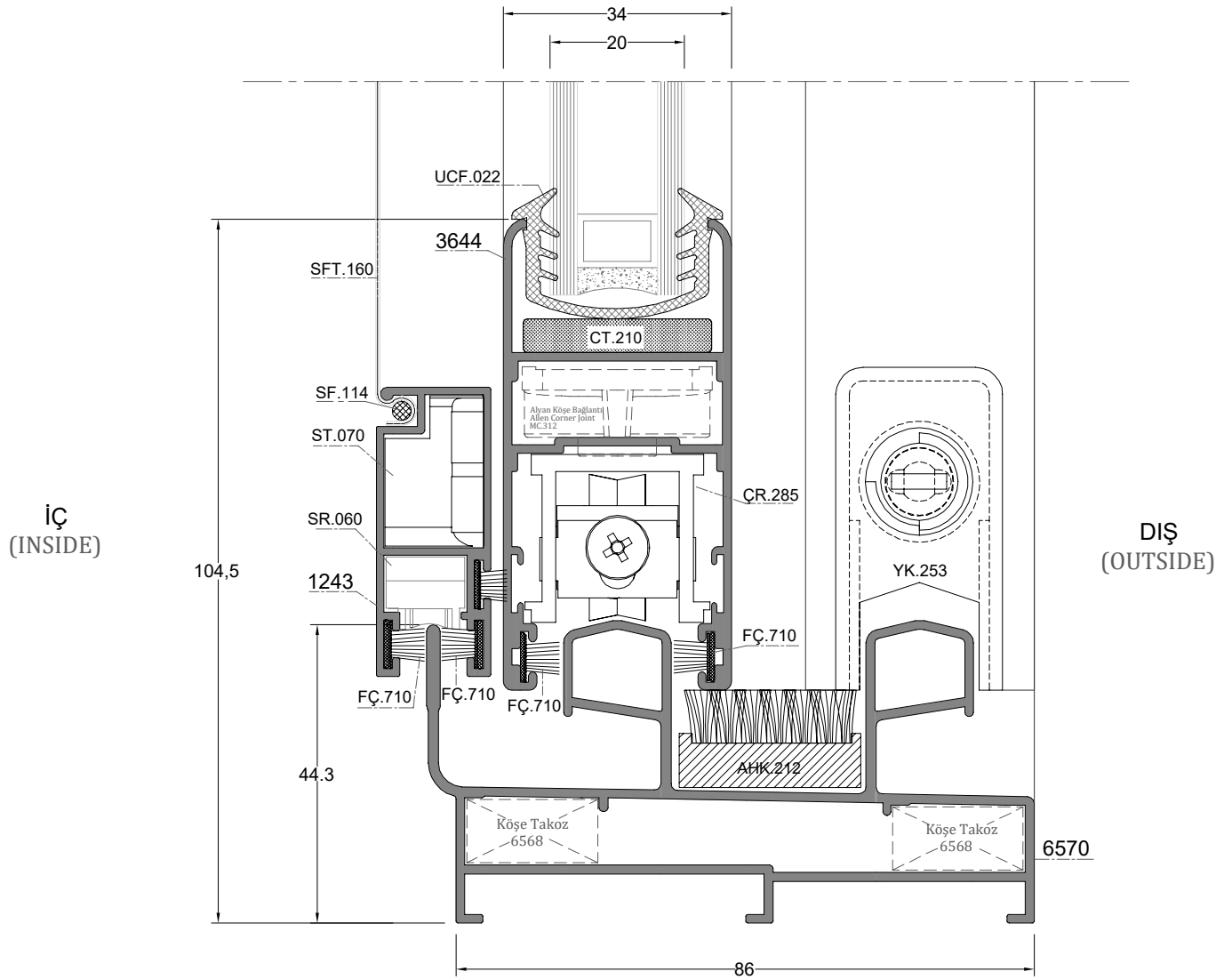
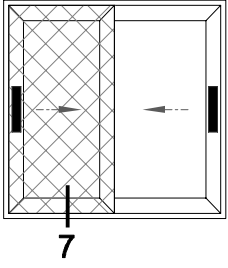


DIŞ  
(OUTSIDE)

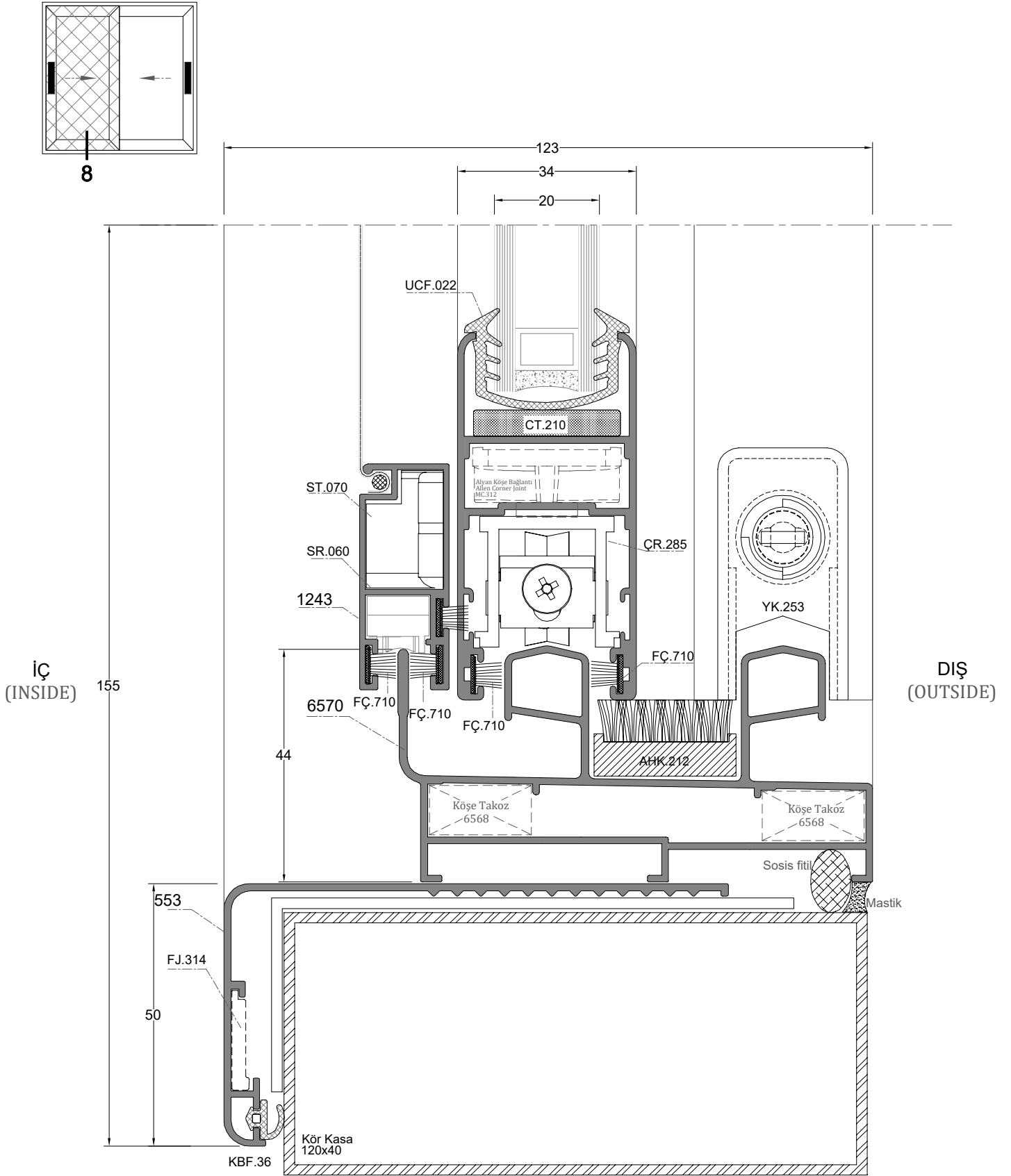


İÇ  
(INSIDE)

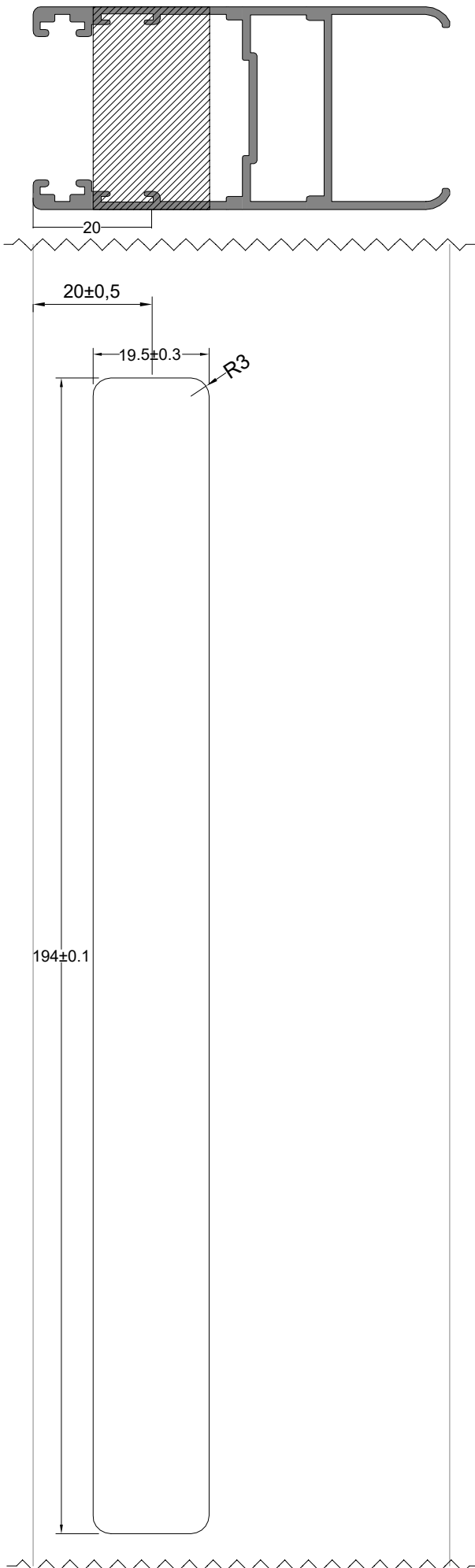
D-6



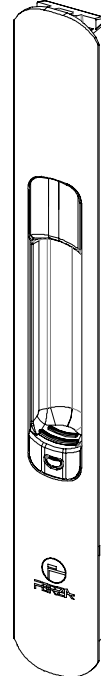
D-7



D-8



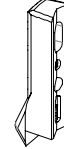
FKH.750



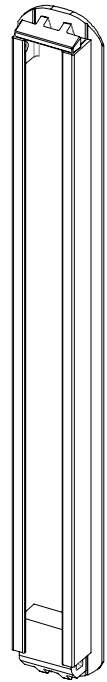
FKD.781

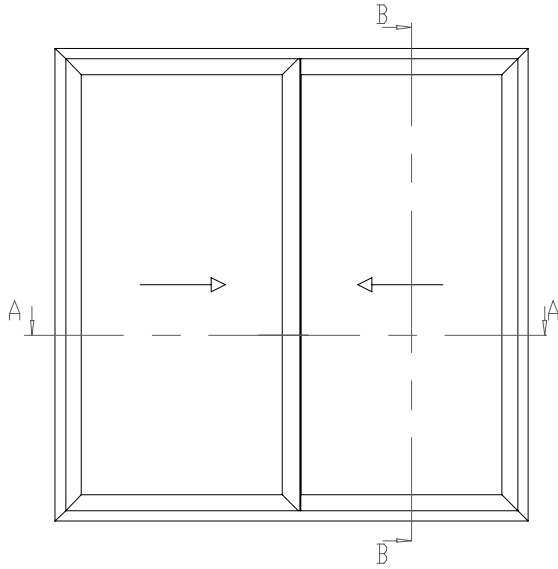
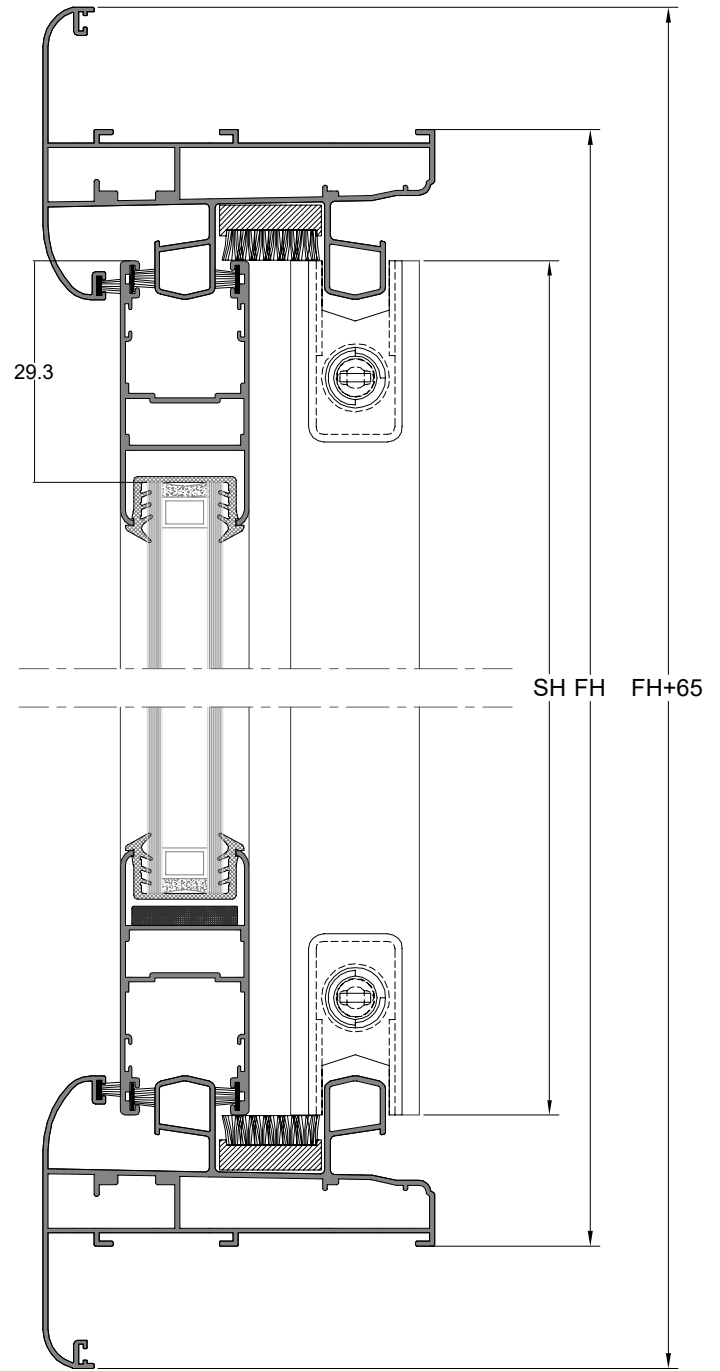


FKK.782



FPK.790



**B-B KESİTİ****PROFİLLER / PROFILES**

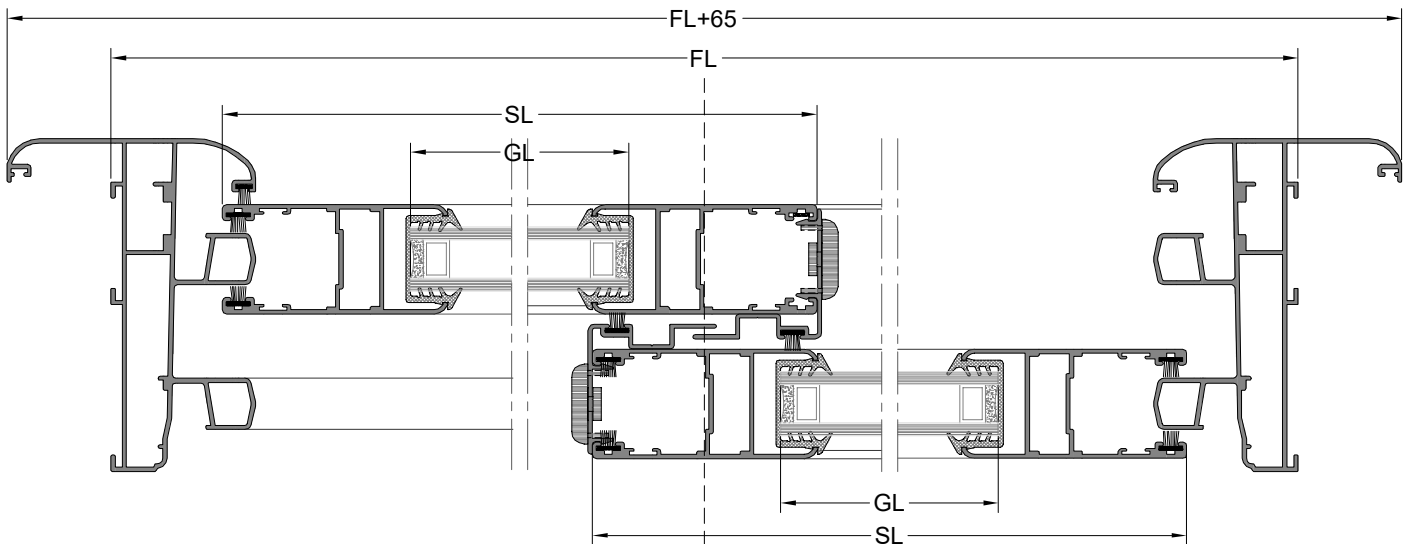
| Kod<br>Code                | Çizim<br>Drawing | Kesim<br>Cut | Miktar<br>Quantity | Ölçüler<br>Dimensions |
|----------------------------|------------------|--------------|--------------------|-----------------------|
| 3641<br>Kasa<br>Frame      |                  |              | 2 Pcs / Adet       | FL+65                 |
|                            |                  |              | 2 Pcs / Adet       | FH+65                 |
| 3585-3586<br>Kanat<br>Sash |                  |              | 4Pcs / Adet        | SL = (FL/2)           |
|                            |                  |              | 4Pcs / Adet        | SH = FH-70            |

**CAM / GLASS**

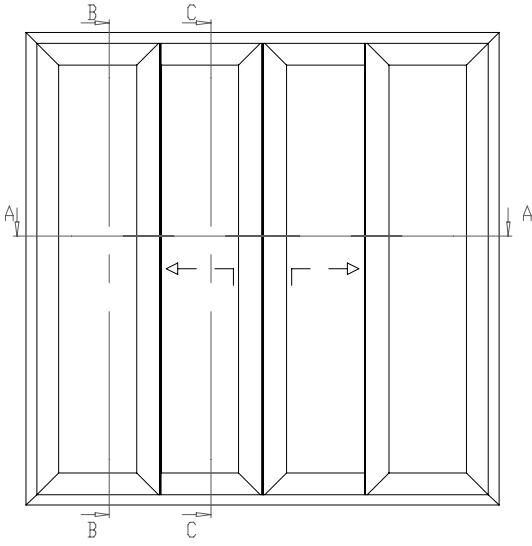
| Kod<br>Code  | Çizim<br>Drawing | Miktar<br>Quantity | Ölçüler<br>Dimensions |
|--------------|------------------|--------------------|-----------------------|
| CAM<br>GLASS |                  | 2 Pcs / Adet       | GL = SL-117           |
|              |                  |                    | GH = SH-117           |

CAM ÖLÇÜLERİ EŞİT KABUL EDİLEREK  
FORMULİZE EDİLMİŞTİR.

GLASS DIMENSIONS ARE  
FORMULATED, ACCEPT EQUAL.

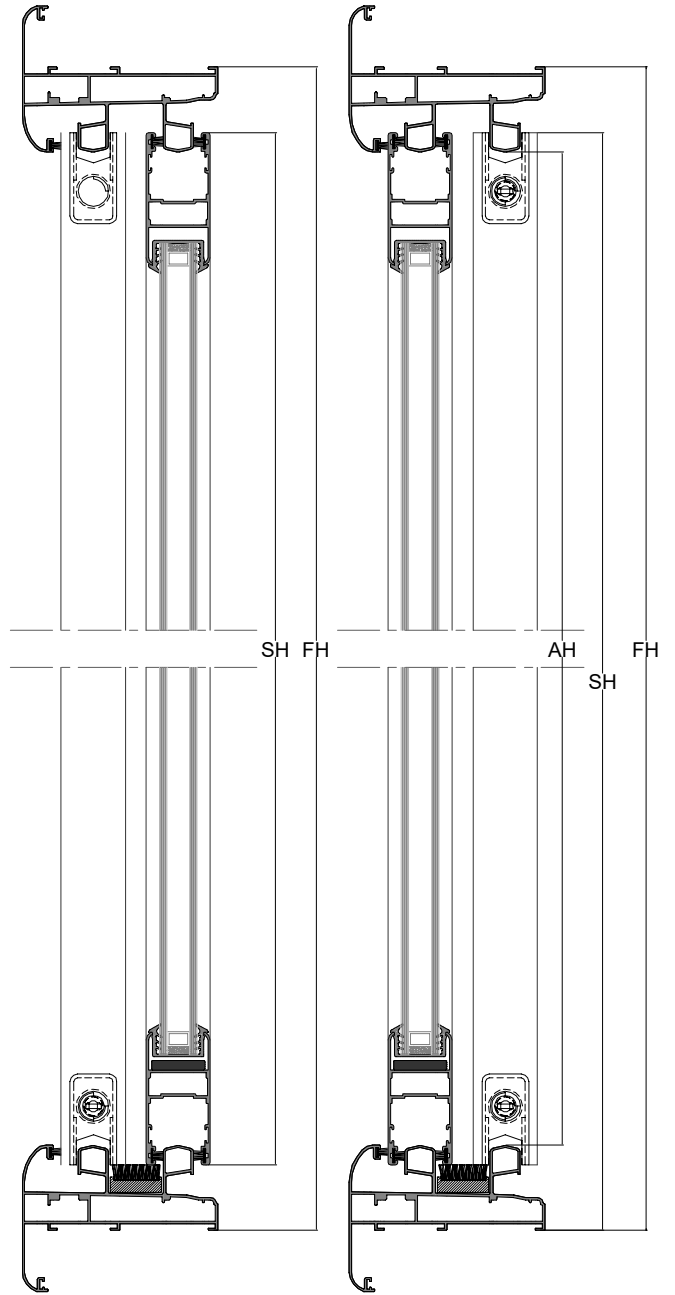
**A-A KESİTİ**





B-B KESİTİ

C-C KESİTİ



PROFİLLER / PROFILES

| Kod Code                   | Çizim Drawing | Kesim Cut | Miktar Quantity | Ölçüler Dimensions |
|----------------------------|---------------|-----------|-----------------|--------------------|
| 3641<br>Kasa<br>Frame      |               |           | 2 Pcs / Adet    | FL+65              |
|                            |               |           | 2 Pcs / Adet    | FH+65              |
| 3585-3586<br>Kanat<br>Sash |               |           | 8Pcs / Adet     | SL = (FL/4)+17.2   |
|                            |               |           | 8Pcs / Adet     | SH = FH-70         |
| 3585-3586<br>Kanat<br>Sash |               |           | 1Pcs / Adet     | AH = FH-90         |

CAM / GLASS

| Kod Code     | Çizim Drawing | Miktar Quantity | Ölçüler Dimensions |
|--------------|---------------|-----------------|--------------------|
| CAM<br>GLASS |               | 4 Pcs / Adet    | GL = SL-117        |
|              |               |                 | GH = SH-117        |

CAM ÖLÇÜLERİ EŞİT KABUL EDİLEREK  
FORMULİZE EDİLMİŞTİR.

GLASS DIMENSIONS ARE  
FORMULATED, ACCEPT EQUAL.

A-A KESİTİ

